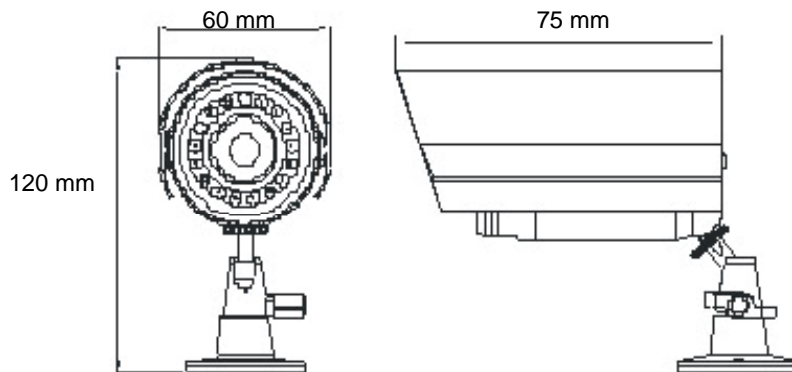


## 5) TECHNICAL SPECIFICATIONS

IRB1000 Bundle Series	IRC2102 Indoor / Outdoor Color Camera
Image Sensor	1/4" Sharp CCD
Resolution	420 Lines
Lens	6.0 mm @ F2.0
Effective Pixels	510(H) x 492(V)
Min. Illumination	0 LUX (LED on) / 1.0 LUX (LED off)
Field of View	60° ± 5°
Electric Shutter	1/60s - 1/10,000s
Operating Temperature	-10°C ~ 45°C (14°F ~ 113°F)
Operating Humidity	50%-80%
LED Quantity	12 pcs (@ 5mm)
IR Range	30 ft / 10 m (under optimal conditions)
IP Rating	IP67
Power Requirement	12V dc
Current Consumption	200 mA

## 6) DIMENSIONS



## 7) WARRANTY

IRES Technology warrants all of its products for one year, starting from the date of purchase. Please refer to the included Warranty card or go to [www.IREStechology.com](http://www.IREStechology.com) for more details. In no event shall IRES be liable for incidental, accidental or consequential damages arising from the use or inability to use its products.

Copyright © 2008 IRES Technology Corp.  
Specifications are Subject to Change. E&OE

## SETUP INSTRUCTIONS



### IRB10 Bundle Series

(Camera Bundle Packs Vary)

**Hi-Res Indoor / Outdoor Color Camera  
with 12 LEDs – Bundle Pack Version**



For more information visit:

[www.IREStechology.com](http://www.IREStechology.com)

Thanks for purchasing the IRB1000 Series camera bundle pack from IRES Technology. Please review the following instructions thoroughly before installing and connecting the cameras.

## 1) CAMERA BUNDLE

Camera Bundles contain more than one camera. Various “value packs” are offered by IRES. Depending on the bundle purchased, your package may include other types of camera(s) in different quantities. This manual addresses the IRC2102 Indoor / Outdoor Color Camera that is included in your value pack.

IRC2102 – 1/4“ Sharp CCD, 420 TV Lines

## 2) FEATURES

- Hi-res image sensor provides outstanding picture quality
- 12 high-intensity LED’s provide Night Vision of up to 30 ft
- Heavy-duty IP67 construction – ideal for outdoor use
- Picture automatically turns to B/W in low light conditions
- Easy to install with camera mounting kit included

## 3) CONTENTS

Please ensure that your package includes the following:

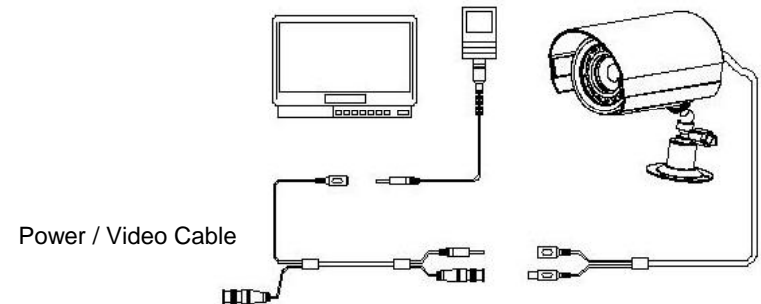
IRC2100 Series Camera(s)  
(Quantity varies by Bundle pack)  
Mounting Brackets & Screws  
Owner’s Manual



Note: Power Adapter and Video/Power Cable are not supplied but can be purchased separately at [www.IREStechology.com](http://www.IREStechology.com)

## 4) CAMERA INSTALLATION

- i** Before permanently mounting the camera, it is recommended that you first confirm its performance by connecting it to your DVR / Monitor, powering the unit and viewing the picture.
- a) Position the stand base to the wall or ceiling area where you want to install the camera. Drill 1 inch holes to align with the 3 screw-holes in the bracket and then secure it using the supplied screws and anchors.
  - b) Attach the camera to the supplied mounting bracket and tighten the swivel.
  - c) Connect the camera to a Video/Power extension cable [Male BNC / Male DC]. Cable is not included as standard but can be purchased through [www.IREStechology.com](http://www.IREStechology.com)
  - d) Run the cable to a DVR or Monitor input and connect the BNC Video. Also connect a 12V DC Power Adapter - available online at [www.IREStechology.com](http://www.IREStechology.com)



## 5) POWER SPLITTER OPTION

To consolidate power wiring and number of power supplies, IRES recommends using its 4-way / 8-way Power Splitter solution combined with its 2A / 5A power supply to run 4 / 8 cameras from a single power adapter. More information can be found at [www.IREStechology.com](http://www.IREStechology.com)

