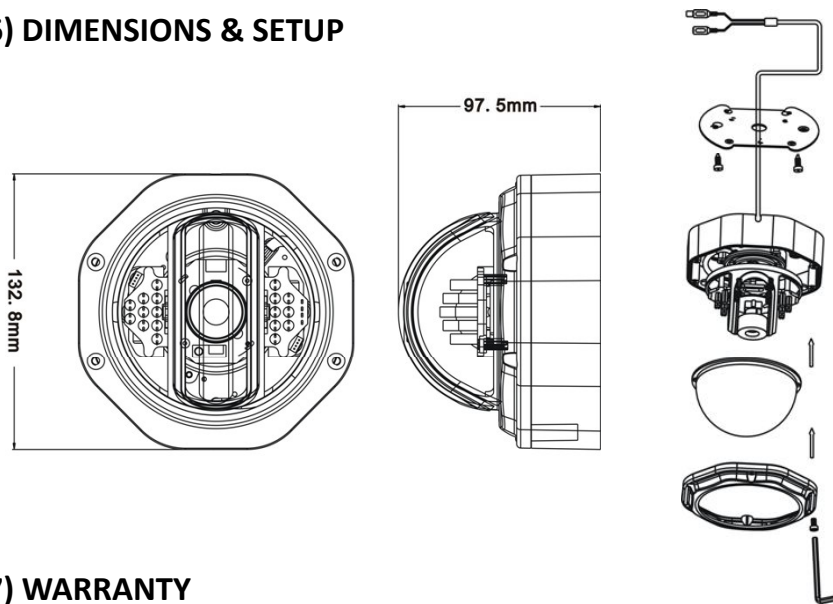


## 5) TECHNICAL SPECIFICATIONS

IRB1000 Bundle Series	IRC3102 Indoor Color Dome Camera
Image Sensor	1/4" Sharp CCD
Resolution	420 Lines
Lens	6.0 mm @ F2.0
Effective Pixels	510(H) x 492(V)
Min. Illumination	1.0 LUX
Field of View	65°
Electric Shutter	1/60s - 1/10,000s
Operating Temperature	-10°C ~ 45°C (14°F ~ 113°F)
Operating Humidity	50%-80%
Power Requirement	12V dc
Current Consumption	100 mA

## 6) DIMENSIONS & SETUP



## 7) WARRANTY

IRES Technology warrants all of its products for one year, starting from the date of purchase. Please refer to the included Warranty card or go to [www.IREStechology.com](http://www.IREStechology.com) for more details. In no event shall IRES be liable for incidental, accidental or consequential damages arising from the use or inability to use its products.

Copyright © 2008 IRES Technology Corp.  
Specifications are Subject to Change. E&OE

## SETUP INSTRUCTIONS



### IRB10 Bundle Series

(Camera Bundle Packs Vary)

### Hi-Res Indoor Color Dome Camera – Bundle Pack Version



For more information visit:

[www.IREStechology.com](http://www.IREStechology.com)

Thanks for purchasing the IRB1000 Series camera bundle pack from IRES Technology. Please review the following instructions thoroughly before installing and connecting the cameras.

### 1) CAMERA BUNDLE

Camera Bundles contain more than one camera. Various “value packs” are offered by IRES. Depending on the bundle purchased, your package may include other types of camera(s) in different quantities. This manual addresses the IRC3102 Indoor Color Dome Camera that is included in your value pack.

IRC3102 – 1/4” Sharp CCD, 420 TV Lines

### 2) FEATURES

- Hi-res image sensor provides outstanding picture quality
- Rotate 360° and/or Tilt 90° for optimal viewing angle selection
- Automatically adjusts to changes in lighting conditions
- Low power consumption (100 mA)
- Unobtrusive appearance with smoked black housing

### 3) CONTENTS

Please ensure that your package includes the following:

- IRC3100 Series Camera(s)  
(Quantity varies by Bundle pack)
- Ceiling Mounting Bracket & Screws
- Hex Wrench Tool
- Owner’s Manual



Note: Power Adapter and Video/Power Cable are not supplied but can be purchased separately at [www.IREStechology.com](http://www.IREStechology.com)

### 4) CAMERA INSTALLATION

**i** Before permanently mounting the camera, it is recommended that you first confirm its performance by connecting it to your DVR / Monitor, powering the unit and viewing the picture.

- a) Remove the 2 standard screws using a screwdriver and 2 locking screws with the supplied Hex wrench. Note that the remaining 2 screws are imitation and should be ignored.



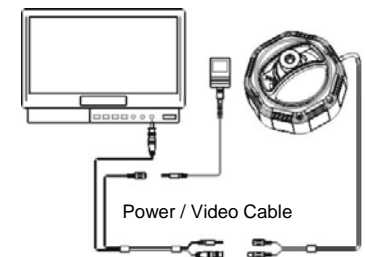
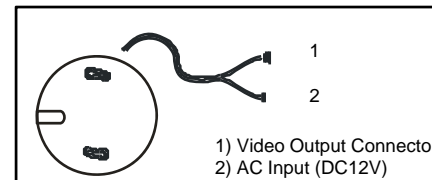
- b) Mount the base to a ceiling or wall using the supplied screws and the ceiling mounting bracket. Tilt the camera to the desired viewing angle. For rotation, refer to step “d”.

- c) Reattach the dome cover using the removed screws.

- d) The camera can be rotated up to 360° by grasping the dome cover from the outside and turning it.

- e) Connect the camera to a Video/Power extension cable [Male BNC / Male DC]. Cable is not included as standard but can be purchased through [www.IREStechology.com](http://www.IREStechology.com)

- f) Run the cable to a DVR or Monitor input and connect the BNC Video. Also connect a 12V DC Power Adapter - available online at [www.IREStechology.com](http://www.IREStechology.com)



### 5) POWER SPLITTER OPTION

To consolidate power wiring and number of power supplies, iRes recommends using its 4-way / 8-way Power Splitter solution combined with its 2A / 5A power supply to run 4 / 8 cameras from a single power adapter. More info online at [www.iRestechology.com](http://www.iRestechology.com)