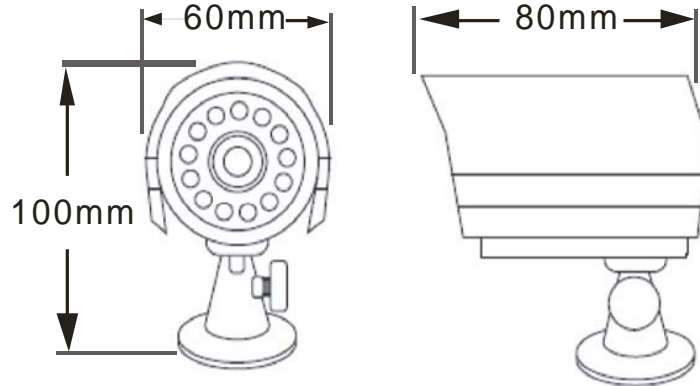


4) TECHNICAL SPECIFICATIONS

	IRC1155
Image Sensor	1/4" CMOS
Resolution	420 Lines
Lens	6.0 mm @ F2.0
Effective Pixels	656(H) x 492(V)
Min. Illumination	0.1 LUX (LED on) / 3.0 LUX (LED off)
Field of View	60° ± 5°
Electric Shutter	1/60s - 1/10,000s
Operating Temperature	-10°C ~ 45°C (14°F ~ 113°F)
Operating Humidity	50%-80%
LED Quantity	8 pcs (@ 5mm)
IR Range	15 ft / 5 m (under optimal conditions)
IP Rating	IP67
Power Requirement	12V dc
Current Consumption	180 mA

5) DIMENSIONS



6) WARRANTY

IRES Technology warrants all of its products for one year, starting from the date of purchase. Please refer to the included Warranty card or go to www.IREStechology.com for more details. In no event shall IRES be liable for incidental, accidental or consequential damages arising from the use or inability to use its products.

Copyright © 2008 IRES Technology Corp.
Specifications are Subject to Change. E&OE

SETUP INSTRUCTIONS



Model IRC1155

**Miniature Indoor / Outdoor Color
Camera with 8 LEDs**



For more information visit:

www.IREStechology.com

Thank you for purchasing the IRC1155 camera from IRES Technology. Please review the following instructions thoroughly before installing and connecting the camera.

1) FEATURES

- Pro performance CMOS image sensor provides outstanding picture quality
- 8 high-intensity LED's provide Night Vision of up to 15 ft
- Compact design for a low profile
- Heavy-duty IP67 construction – ideal for outdoor use
- Picture automatically turns to B/W in low light conditions
- Easy to install with camera mounting kit included

2) CONTENTS

Please ensure that your package includes the following:

IRC1155 Series Camera
with attached Sunshade Visor
Mounting Bracket
Mounting Screws
Owner's Manual

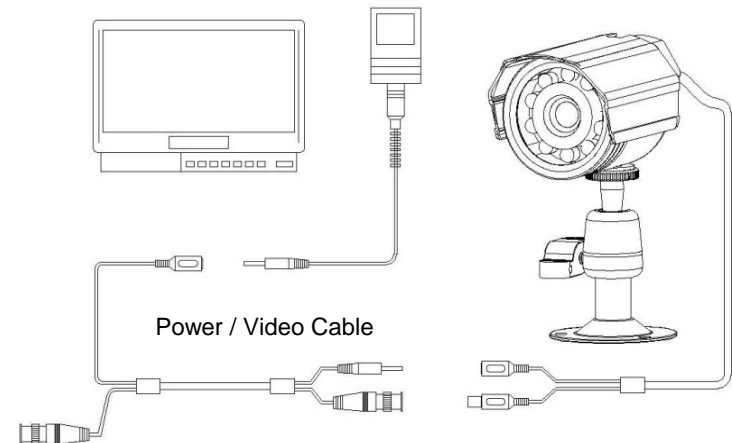


Note: Power Adapter and Video/Power Cable are not supplied but can be purchased separately at www.IREStechonology.com

3) CAMERA INSTALLATION

i Before permanently mounting the camera, it is recommended that you first confirm its performance by connecting it to your DVR / Monitor, powering the unit and viewing the picture.

- a) Position the stand base to the wall or ceiling area where you want to install the camera. Drill 1 inch holes to align with the 3 screw-holes in the bracket and then secure it using the supplied screws and anchors.
- b) Attach the camera to the supplied mounting bracket and tighten the swivel.
- c) Connect the camera to a Video/Power extension cable [Male BNC / Male DC]. Cable is not included as standard but can be purchased through www.IREStechonology.com
- d) Run the cable to a DVR or Monitor input and connect the BNC Video. Also connect a 12V DC Power Adapter - available online at www.IREStechonology.com



Note: When this camera is used outdoors, some shades of green may appear discolored or brownish under daylight conditions. This is due to a characteristic of the image sensor and is not a defect.