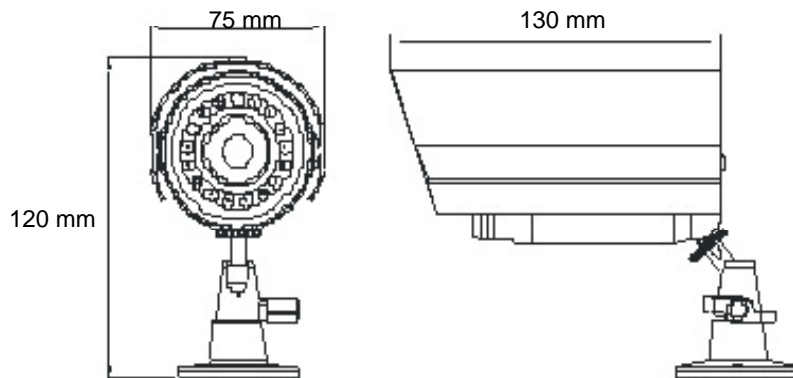


## 6) TECHNICAL SPECIFICATIONS

	IRC2204	IRC2207	IRC2209
Image Sensor	1/4" Sony CCD	Sharp 1/3" CCD	Sony 1/3" CCD
Resolution	420 Lines	520 Lines	520 Lines
Lens	4.0 - 9.0 mm @ F1.6		
Effective Pixels	510(H) x 492(V)	768(H) x 494(V)	768(H) x 494(V)
Min. Illumination	0 LUX (LED on) / 1.0 LUX (LED off)		
Field of View	54° - 23°		
Electric Shutter	1/60s - 1/10,000s		
Operating Temperature	-10°C ~ 45°C (14°F ~ 113°F )		
Operating Humidity	50%-80%		
LED Quantity	16 pcs (@ 5mm)		
IR Range	50 ft / 15 m (under optimal conditions)		
IP Rating	IP67		
Power Requirement	12V dc		
Current Consumption	230 mA	200 mA	230 mA

## 7) DIMENSIONS



## 8) WARRANTY

IRES Technology warrants all of its products for one year, starting from the date of purchase. Please refer to the included Warranty card or go to [www.IREStechology.com](http://www.IREStechology.com) for more details. In no event shall IRES be liable for incidental, accidental or consequential damages arising from the use or inability to use its products.

Copyright © 2008 IRES Technology Corp.  
Specifications are Subject to Change. E&OE

## SETUP INSTRUCTIONS



### IRC2500 Series

**Hi-Res Indoor / Outdoor Varifocal Color  
Camera with 16 LEDs**



For more information visit:

[www.IREStechology.com](http://www.IREStechology.com)

Thank you for purchasing the IRC2500 Series camera from IRES Technology. Please review the following instructions thoroughly before installing and connecting the camera.

### 1) CAMERA MODEL

Depending on the camera purchased, you received one of the following models:

- IRC2504 – 1/4" Sony CCD, 420 TV Lines
- IRC2507 – 1/3" Sharp CCD, 520 TV Lines
- IRC2509 – 1/3" Sony CCD, 520 TV Lines

### 2) FEATURES

- Hi-res image sensor provides outstanding picture quality
- 4-9 mm Varifocal Lens with easy-to-access external adjustment
- 16 high-intensity LED's provide Night Vision of up to 50 ft
- Heavy-duty IP67 construction – ideal for outdoor use
- Picture automatically turns to B/W in low light conditions
- Easy to install with camera mounting kit included

### 3) CONTENTS

Please ensure that your package includes the following:

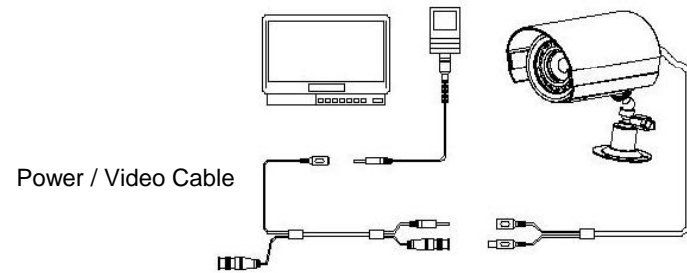
- IRC2500 Series Camera
- Mounting Bracket
- Mounting Screws
- Owner's Manual



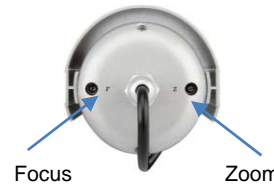
Note: Power Adapter and Video/Power Cable are not supplied but can be purchased separately at [www.IREStechonology.com](http://www.IREStechonology.com)

### 4) CAMERA INSTALLATION

- i** Before permanently mounting the camera, it is recommended that you first confirm its performance by connecting it to your DVR / Monitor, powering the unit and viewing the picture.
- a) Position the stand base to the wall or ceiling area where you want to install the camera. Drill 1 inch holes to align with the 3 screw-holes in the bracket and then secure it using the supplied screws and anchors.
- b) Attach the camera to the supplied mounting bracket and tighten the swivel.
- c) Connect the camera to a Video/Power extension cable [Male BNC / Male DC]. Cable is not included as standard but can be purchased through [www.IREStechonology.com](http://www.IREStechonology.com)
- d) Run the cable to a DVR or Monitor input and connect the BNC Video. Also connect a 12V DC Power Adapter - available online at [www.IREStechonology.com](http://www.IREStechonology.com)



### 5) VARIFOCAL ADJUSTMENT



Use a screwdriver to adjust the Focus (F) and Zoom (Z) controls on the back of the camera.