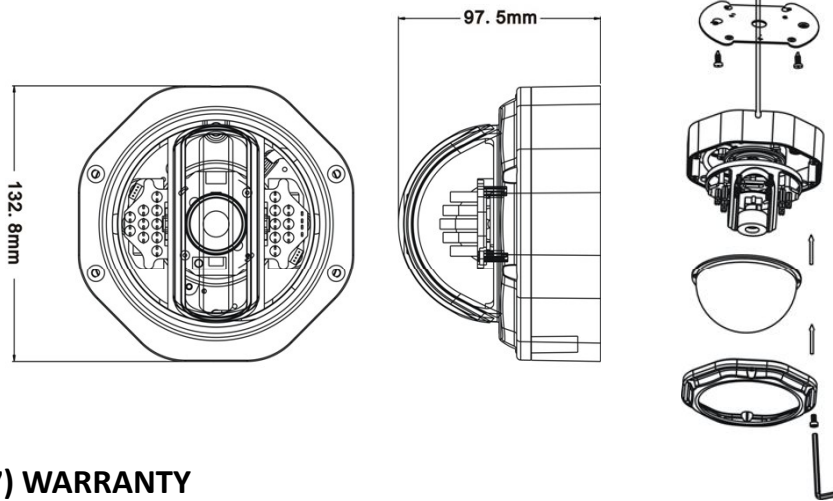


5) TECHNICAL SPECIFICATIONS

	IRC3104	IRC3107	IRC3109
Image Sensor	1/4" Sony CCD	Sharp 1/3" CCD	Sony 1/3" CCD
Resolution	420 Lines	520 Lines	520 Lines
Lens	6.0 mm @ F2.0		
Effective Pixels	510(H) x 492(V)	768(H) x 494(V)	768(H) x 494(V)
Min. Illumination	1.0 LUX		
Field of View	65°		
Electric Shutter	1/60s - 1/10,000s		
S/N Ratio	>48dB		
Operating Temperature	-10°C ~ 45°C (14°F ~ 113°F)		
Operating Humidity	50%-80%		
Power Requirement	12V dc		
Current Consumption	130 mA	100 mA	130 mA

6) DIMENSIONS & SETUP



7) WARRANTY

IRES Technology warrants all of its products for one year, starting from the date of purchase. Please refer to the included Warranty card or go to www.IREStechnology.com for more details. In no event shall IRES be liable for incidental, accidental or consequential damages arising from the use or inability to use its products.

Copyright © 2008 IRES Technology Corp.
Specifications are Subject to Change. E&OE

SETUP INSTRUCTIONS



IRC3100 Series

Hi-Res Indoor Dome Camera



For more information visit:

www.IREStechnology.com

Thank you for purchasing the IRC3100 Series camera from IRES Technology. Please review the following instructions thoroughly before installing and connecting the camera.

1) CAMERA MODEL

Depending on the camera purchased, you received one of the following models:

IRC3104 – 1/4" Sony CCD, 420 TV Lines

IRC3107 – 1/3" Sharp CCD, 520 TV Lines

IRC3109 – 1/3" Sony CCD, 520 TV Lines

2) FEATURES

- Hi-res image sensor provides outstanding picture quality
- Rotate 360° and/or Tilt 90° for optimal viewing angle selection
- Automatically adjusts to changes in lighting conditions
- Low power consumption (100 ~ 130 mA)
- Unobtrusive appearance with smoked black housing

3) CONTENTS

Please ensure that your package includes the following:

- IRC3100 Series Camera
- Ceiling Mounting Bracket
- Mounting Screws
- Hex Wrench Tool
- Owner's Manual



Note: Power Adapter and Video/Power Cable are not supplied but can be purchased separately at www.IREStechonology.com

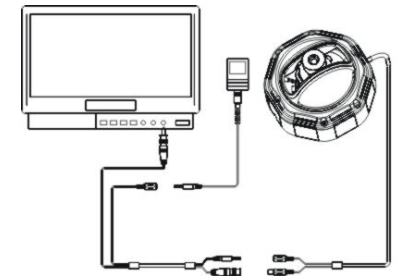
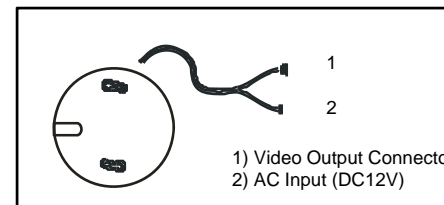
4) CAMERA INSTALLATION

i Before permanently mounting the camera, it is recommended that you first confirm its performance by connecting it to your DVR / Monitor, powering the unit and viewing the picture.

- a) Remove the 2 standard screws using a screwdriver and 2 locking screws with the supplied Hex wrench. Note that the remaining 2 screws are imitation and should be ignored.



- b) Mount the base to a ceiling or wall using the supplied screws and the ceiling mounting bracket. Tilt the camera to the desired viewing angle. For rotation, refer to step "d".
- c) Reattach the dome cover using the removed screws.
- d) The camera can be rotated up to 360° by grasping the dome cover from the outside and turning it.
- e) Connect the camera to a Video/Power extension cable [Male BNC / Male DC]. Cable is not included as standard but can be purchased through www.IREStechonology.com
- f) Run the cable to a DVR or Monitor input and connect the BNC Video. Also connect a 12V DC Power Adapter - available online at www.IREStechonology.com



Power / Video Cable