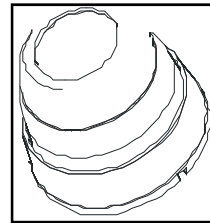
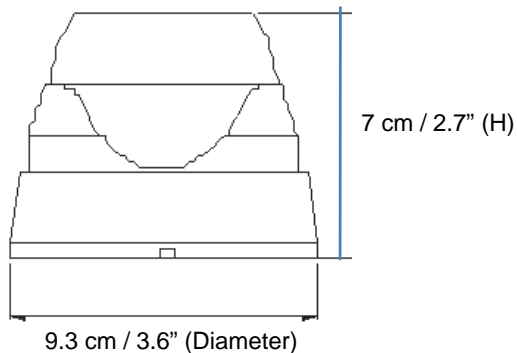


5) TECHNICAL SPECIFICATIONS

	IRC3204	IRC3207	IRC3209
Image Sensor	1/4" Sony CCD	Sharp 1/3" CCD	Sony 1/3" CCD
Resolution	420 Lines	520 Lines	520 Lines
Lens	6.0 mm @ F2.0		
Effective Pixels	510(H) x 492(V)	768(H) x 494(V)	768(H) x 494(V)
Min. Illumination	0.1 LUX (LED on) / 1.0 LUX (LED off)		
Field of View	60° ± 5°		
Electric Shutter	1/60s - 1/10,000s		
S/N Ratio	>48dB		
Operating Temperature	-10°C ~ 45°C (14°F ~ 113°F)		
Operating Humidity	50%-80%		
LED Quantity	12 pcs (@ 5mm)		
IR Range	30 ft / 10 m (under optimal conditions)		
Power Requirement	12V dc		
Current Consumption	230 mA	200 mA	230 mA

6) DIMENSIONS



SETUP INSTRUCTIONS



IRC3200 Series

Hi-Res Color *EyeBall* Camera with 12 LEDs

7) WARRANTY

IRES Technology warrants all of its products for one year, starting from the date of purchase. Please refer to the included Warranty card or go to www.IREStechology.com for more details. In no event shall IRES be liable for incidental, accidental or consequential damages arising from the use or inability to use its products.

Copyright © 2008 IRES Technology Corp.
Specifications are Subject to Change. E&OE



For more information visit:

www.IREStechology.com

Thank you for purchasing the IRC3200 Series camera from IRES Technology. Please review the following instructions thoroughly before installing and connecting the camera.

1) CAMERA MODEL

Depending on the camera purchased, you received one of the following models:

- IRC3204 – 1/4" Sony CCD, 420 TV Lines
- IRC3207 – 1/3" Sharp CCD, 520 TV Lines
- IRC3209 – 1/3" Sony CCD, 520 TV Lines

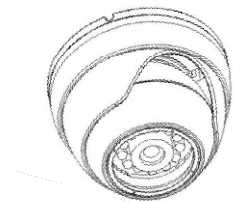
2) FEATURES

- Hi-res image sensor provides outstanding picture quality
- High-intensity LED's provide Night Vision of up to 30 ft
- Picture automatically turns to B/W in low light conditions
- Versatile mounting options
- Ideal for Indoor usage.

3) CONTENTS

Please ensure that your package includes the following:

- IRC3200 Series Camera
- Ball-Joint Mounting Base
- Mounting Screws
- Hex Wrench Tool
- Owner's Manual

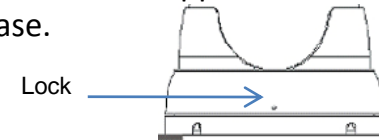


Note: Power Adapter and Video/Power Cable are not supplied but can be purchased separately at www.IRES technology.com

4) CAMERA INSTALLATION

i Before permanently mounting the camera, it is recommended that you first confirm its performance by connecting it to your DVR / Monitor, powering the unit and viewing the picture.

a) Loosen the locking screw with the supplied Hex wrench and remove the mounting base.



- b) Mount the base to a ceiling or wall using the supplied screws.
- c) Position the ball camera in the base and rotate to the desired viewing angle. Then reattach the cover by tightening the swivel and securing it using the Hex wrench.
- d) Connect the camera to a Video/Power extension cable [Male BNC / Male DC]. Cable is not included as standard but can be purchased through www.IRES technology.com
- e) Run the cable to a DVR or Monitor input and connect the BNC Video. Also connect a 12V DC Power Adapter - available online at www.IRES technology.com

