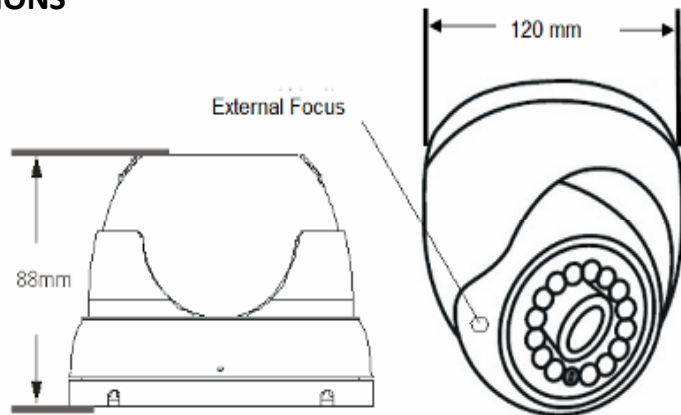


## 6) TECHNICAL SPECIFICATIONS

	IRC35314	IRC35317	IRC35319
Image Sensor	1/4" Sony CCD	Sharp 1/3" CCD	Sony 1/3" CCD
Resolution	420 Lines	520 Lines	520 Lines
Lens	4.0 - 9.0 mm @ F1.6		
Effective Pixels	510(H) x 492(V)	768(H) x 494(V)	768(H) x 494(V)
Min. Illumination	0.1 LUX (LED on) / 1.0 LUX (LED off)		
Field of View	54° - 23°		
Electric Shutter	1/60s - 1/10,000s		
S/N Ratio	>48dB		
Operating Temperature	-10°C ~ 45°C (14°F ~ 113°F)		
Operating Humidity	50%-80%		
LED Quantity	14 pcs (@ 8mm)		
IR Range	60 ft / 18 m (under optimal conditions)		
IP Rating	IP67		
Power Requirement	12V dc		
Current Consumption	330 mA	300 mA	330 mA

## 7) DIMENSIONS



## 8) WARRANTY

IRES Technology warrants all of its products for one year, starting from the date of purchase. Please refer to the included Warranty card or go to [www.IREStechology.com](http://www.IREStechology.com) for more details. In no event shall IRES be liable for incidental, accidental or consequential damages arising from the use or inability to use its products.

Copyright © 2008 IRES Technology Corp.  
Specifications are Subject to Change. E&OE

## SETUP INSTRUCTIONS



IRC35310 Series

**Hi-Res Indoor/Outdoor Varifocal Vandal Resistant *EyeBall* Color Camera with 14 Ultra-Bright LEDs**



For more information visit:

[www.IREStechology.com](http://www.IREStechology.com)

Thank you for purchasing the IRC35310 Series camera from IRES Technology. Please review the following instructions thoroughly before installing and connecting the camera.

### 1) CAMERA MODEL

Depending on the camera purchased, you received one of the following models:

- IRC35314 – 1/4" Sony CCD, 420 TV Lines
- IRC35317 – 1/3" Sharp CCD, 520 TV Lines
- IRC35319 – 1/3" Sony CCD, 520 TV Lines

### 2) FEATURES

- Hi-res image sensor provides outstanding picture quality
- 4-9 mm Varifocal Lens with easy-to-access external adjustment
- Heavy-duty Vandal Resistant construction
- 14 Ultra Bright LED's provide Night Vision of up to 60 ft
- Rugged IP67 protection against rain, dust and moisture
- Picture automatically turns to B/W in low light conditions
- Versatile mounting options.

### 3) CONTENTS

Please ensure that your package includes the following:

- IRC35310 Series Camera
- Ball-Joint Mounting Base
- Mounting Screws
- Hex Wrench Tool
- Owner's Manual

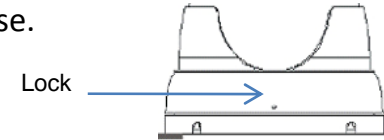


Note: Power Adapter and Video/Power Cable are not supplied but can be purchased separately at [www.IREStechology.com](http://www.IREStechology.com)

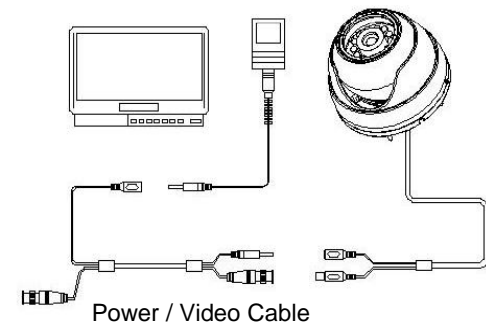
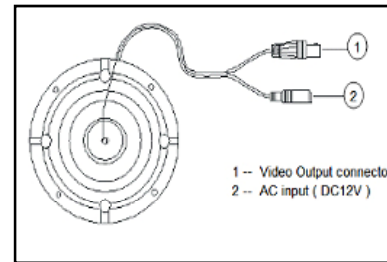
### 4) CAMERA INSTALLATION

**i** Before permanently mounting the camera, it is recommended that you first confirm its performance by connecting it to your DVR / Monitor, powering the unit and viewing the picture.

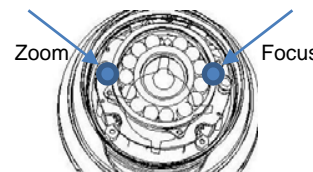
- a) Loosen the locking screw with the supplied Hex wrench and remove the mounting base.



- b) Mount the base to a ceiling or wall using the supplied screws.
- c) Position the ball camera in the base and rotate to the desired viewing angle. Then reattach the cover by tightening the swivel and securing it using the Hex wrench.
- d) Connect the camera to a Video/Power extension cable [Male BNC / Male DC]. Cable is not included as standard but can be purchased through [www.IREStechology.com](http://www.IREStechology.com)
- e) Run the cable to a DVR or Monitor input and connect the BNC Video. Also connect a 12V DC Power Adapter - available online at [www.IREStechology.com](http://www.IREStechology.com)



### 5) VARIFOCAL ADJUSTMENT



Use a screwdriver to adjust the Focus and Zoom controls near the lens of the camera.